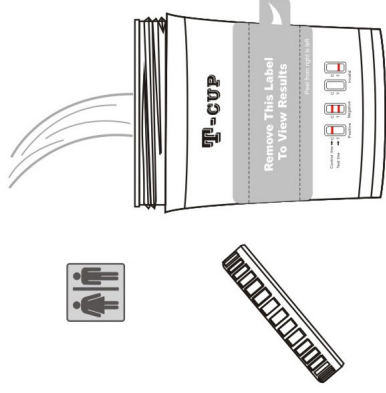
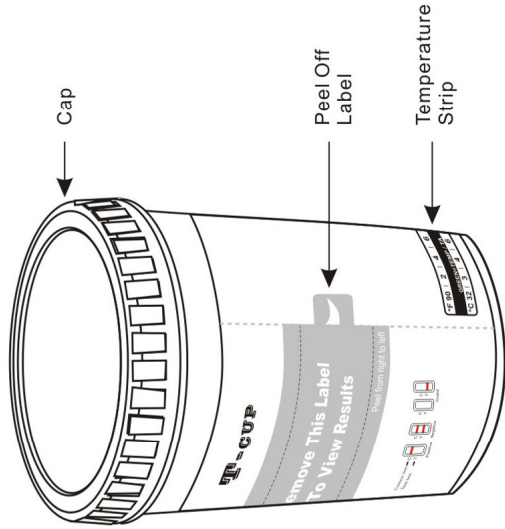


Procedure Card

1

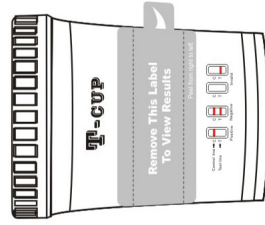
The donors collect his/her urine samples.

Note:
The minimum sample volume is 25mL (See the Minimum Fill Volume scale on the cup label).



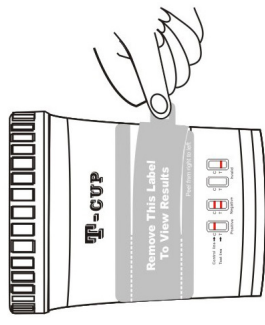
2

Recap the cup and place the test T-cup on a flat surface, observing the temperature strip attached on the cup.



3

Wait for 5 minutes, remove the label and read the result.
Do not read results after 5 minutes.



Positive



Negative



Invalid

Control line → C

Test line → T